

TOSHIBA CMOS Digital Integrated Circuit Silicon Monolithic

TC74HC245AP, TC74HC245AF, TC74HC640AP, TC74HC640AF

Octal Bus Transceiver

| | |
|----------------|------------------------|
| TC74HC245AP/AF | 3-State, Non-Inverting |
| TC74HC640AP/AF | 3-State, Inverting |

The TC74HC245A, 640A are high speed CMOS OCTAL BUS TRANSCEIVERS fabricated with silicon gate C2MOS technology.

They achieve the high speed operation similar to equivalent LSTTL while maintaining the CMOS low power dissipation.

They are intended for two-way asynchronous communication between data busses. The direction of data transmission is determined by the level of the DIR input.

The enable input (\bar{G}) can be used to disable the device so that the busses are effectively isolated.

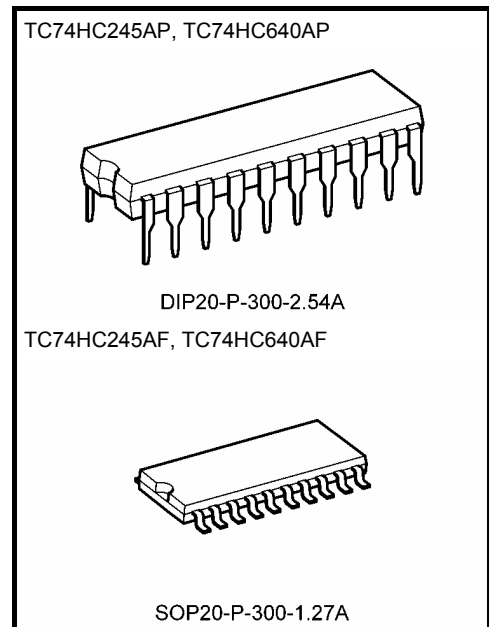
All inputs are equipped with protection circuits against static discharge or transient excess voltage.

Features (Note 1)(Note 2)

- High speed: $t_{pd} = 10 \text{ ns}$ (typ.) at $V_{CC} = 5 \text{ V}$
- Low power dissipation: $I_{CC} = 4 \mu\text{A}$ (max) at $T_a = 25^\circ\text{C}$
- High noise immunity: $V_{NIH} = V_{NIL} = 28\% V_{CC}$ (min)
- Output drive capability: 15 LSTTL loads
- Symmetrical output impedance: $|I_{OH}| = I_{OL} = 6 \text{ mA}$ (min)
- Balanced propagation delays: $t_{pLH} \approx t_{pHL}$
- Wide operating voltage range: $V_{CC} (\text{opr}) = 2\sim 6 \text{ V}$
- Pin and function compatible with 74LS245/640

Note 1: Do not apply a signal to any bus terminal when it is in the output mode. Damage may result.

Note 2: All floating (high impedance) bus terminals must have their input levels fixed by means of pull up or pull down resistors.

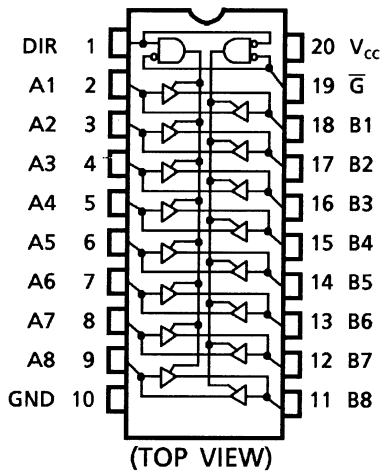


Weight

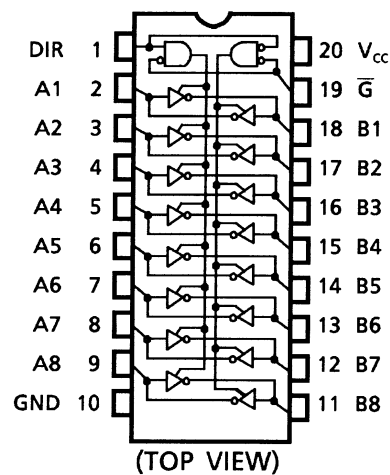
| | |
|-------------------|-----------------|
| DIP20-P-300-2.54A | : 1.30 g (typ.) |
| SOP20-P-300-1.27A | : 0.22 g (typ.) |

Pin Assignment

TC74HC245A

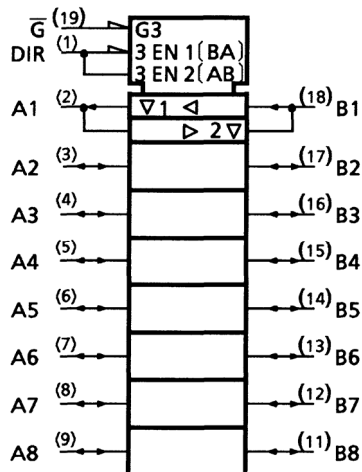


TC74HC640A

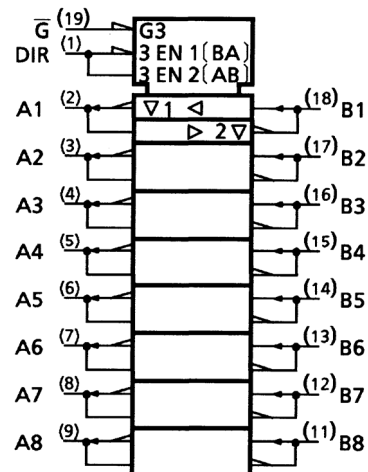


IEC Logic Symbol

TC74HC245A



TC74HC640A



Truth Table

| Inputs | | Function | | Outputs | |
|-----------|-----|----------|--------|---------|---------------|
| \bar{G} | DIR | A Bus | B Bus | HC245A | HC640A |
| L | L | Output | Input | A = B | A = \bar{B} |
| L | H | Input | Output | B = A | B = \bar{A} |
| H | X | Z | | Z | Z |

X: "H" or "L"

Z: High impedance

Absolute Maximum Ratings (Note 1)

| Characteristics | Symbol | Rating | Unit |
|-----------------------------|-----------|------------------------------|------|
| Supply voltage range | V_{CC} | -0.5~7 | V |
| DC input voltage | V_{IN} | -0.5~ $V_{CC} + 0.5$ | V |
| DC output voltage | V_{OUT} | -0.5~ $V_{CC} + 0.5$ | V |
| Input diode current | I_{IK} | ±20 | mA |
| Output diode current | I_{OK} | ±20 | mA |
| DC output current | I_{OUT} | ±35 | mA |
| DC V_{CC} /ground current | I_{CC} | ±75 | mA |
| Power dissipation | P_D | 500 (DIP) (Note 2)/180 (SOP) | mW |
| Storage temperature | T_{stg} | -65~150 | °C |

Note 1: Exceeding any of the absolute maximum ratings, even briefly, lead to deterioration in IC performance or even destruction.

Using continuously under heavy loads (e.g. the application of high temperature/current/voltage and the significant change in temperature, etc.) may cause this product to decrease in the reliability significantly even if the operating conditions (i.e. operating temperature/current/voltage, etc.) are within the absolute maximum ratings and the operating ranges.

Please design the appropriate reliability upon reviewing the Toshiba Semiconductor Reliability Handbook ("Handling Precautions"/"Derating Concept and Methods") and individual reliability data (i.e. reliability test report and estimated failure rate, etc).

Note 2: 500 mW in the range of $T_a = -40$ to 65°C . From $T_a = 65$ to 85°C a derating factor of -10 mW/°C shall be applied until 300 mW.

Operating Ranges (Note)

| Characteristics | Symbol | Rating | Unit |
|--------------------------|------------|--|------|
| Supply voltage | V_{CC} | 2~6 | V |
| Input voltage | V_{IN} | 0~ V_{CC} | V |
| Output voltage | V_{OUT} | 0~ V_{CC} | V |
| Operating temperature | T_{opr} | -40~85 | °C |
| Input rise and fall time | t_r, t_f | 0~1000 ($V_{CC} = 2.0$ V) 0~500 ($V_{CC} = 4.5$ V) 0~400 ($V_{CC} = 6.0$ V) | ns |

Note: The operating ranges must be maintained to ensure the normal operation of the device. Unused inputs and bus inputs must be tied to either VCC or GND. Please connect both bus inputs and the bus outputs with VCC or GND when the I/O of the bus terminal changes by the function. In this case, please note that the output is not short-circuited.

Electrical Characteristics

DC Characteristics

| Characteristics | Symbol | Test Condition | | Ta = 25°C | | | Ta = -40~85°C | | Unit | |
|----------------------------------|-----------------|---|--|---------------------|------|------|---------------|------|------|-----|
| | | | | V _{CC} (V) | Min | Typ. | Max | Min | | Max |
| High-level input voltage | V _{IH} | — | | 2.0 | 1.50 | — | — | 1.50 | — | V |
| | | | | 4.5 | 3.15 | — | — | 3.15 | — | |
| | | | | 6.0 | 4.20 | — | — | 4.20 | — | |
| Low-level input voltage | V _{IL} | — | | 2.0 | — | — | 0.50 | — | 0.50 | V |
| | | | | 4.5 | — | — | 1.35 | — | 1.35 | |
| | | | | 6.0 | — | — | 1.80 | — | 1.80 | |
| High-level output voltage | V _{OH} | V _{IN} = V _{IH} or V _{IL} | I _{OH} = -20 μA | 2.0 | 1.9 | 2.0 | — | 1.9 | — | V |
| | | | | 4.5 | 4.4 | 4.5 | — | 4.4 | — | |
| | | | I _{OH} = -6 mA I _{OH} = -7.8 mA | 4.5 | 4.18 | 4.31 | — | 4.13 | — | |
| | | | | 6.0 | 5.68 | 5.80 | — | 5.63 | — | |
| Low-level output voltage | V _{OL} | V _{IN} = V _{IH} or V _{IL} | I _{OL} = 20 μA | 2.0 | — | 0.0 | 0.1 | — | 0.1 | V |
| | | | | 4.5 | — | 0.0 | 0.1 | — | 0.1 | |
| | | | I _{OL} = 6 mA I _{OL} = 7.8 mA | 4.5 | — | 0.17 | 0.26 | — | 0.33 | |
| | | | | 6.0 | — | 0.18 | 0.26 | — | 0.33 | |
| 3-state output off-state current | I _{OZ} | V _{IN} = V _{IH} or V _{IL} V _{OUT} = V _{CC} or GND | | 6.0 | — | — | ±0.5 | — | ±5.0 | μA |
| Input leakage current | I _{IN} | V _{IN} = V _{CC} or GND | | 6.0 | — | — | ±0.1 | — | ±1.0 | μA |
| Quiescent supply current | I _{CC} | V _{IN} = V _{CC} or GND | | 6.0 | — | — | 4.0 | — | 40.0 | μA |

AC Characteristics (input: $t_r = t_f = 6 \text{ ns}$)

| Characteristics | Symbol | Test Condition | | Ta = 25°C | | | Ta = -40~85°C | | Unit | | |
|-------------------------------|------------------------|------------------|---------|-----------|------|-----|---------------|-----|------|----|----|
| | | CL (pF) | VCC (V) | Min | Typ. | Max | Min | Max | | | |
| Output transition time | t_{TLH} t_{THL} | — | 50 | 2.0 | — | 52 | 60 | — | 75 | ns | |
| | | | | 4.5 | — | 7 | 12 | — | 15 | | |
| | | | | 6.0 | — | 6 | 10 | — | 13 | | |
| Propagation delay time | t_{pLH} t_{pHL} | — | 50 | 2.0 | — | 33 | 90 | — | 115 | ns | |
| | | | | 4.5 | — | 12 | 18 | — | 23 | | |
| | | | | 6.0 | — | 10 | 15 | — | 20 | | |
| | | | 150 | 2.0 | — | 48 | 120 | — | 150 | | ns |
| | | | | 4.5 | — | 16 | 24 | — | 30 | | |
| | | | | 6.0 | — | 14 | 20 | — | 26 | | |
| 3-state output enable time | t_{pZL} t_{pZH} | $R_L = 1k\Omega$ | 50 | 2.0 | — | 48 | 150 | — | 190 | ns | |
| | | | | 4.5 | — | 16 | 30 | — | 38 | | |
| | | | | 6.0 | — | 14 | 26 | — | 32 | | |
| | | | 150 | 2.0 | — | 63 | 180 | — | 225 | | ns |
| | | | | 4.5 | — | 21 | 36 | — | 45 | | |
| | | | | 6.0 | — | 18 | 31 | — | 38 | | |
| 3-state output disable time | t_{pLZ} t_{pHZ} | $R_L = 1k\Omega$ | 50 | 2.0 | — | 37 | 150 | — | 190 | ns | |
| | | | | 4.5 | — | 17 | 30 | — | 38 | | |
| | | | | 6.0 | — | 15 | 26 | — | 32 | | |
| Input capacitance | C_{IN} | DIR, G | | — | 5 | 10 | — | 10 | pF | | |
| Bus input capacitance | C_{OUT} | An, Bn | | — | 13 | — | — | — | pF | | |
| Power dissipation capacitance | C_{PD} (Note) | TC74HC245A | | — | 39 | — | — | — | pF | | |
| | | TC74HC640A | | — | 37 | — | — | — | | | |

Note: C_{PD} is defined as the value of the internal equivalent capacitance which is calculated from the operating current consumption without load.

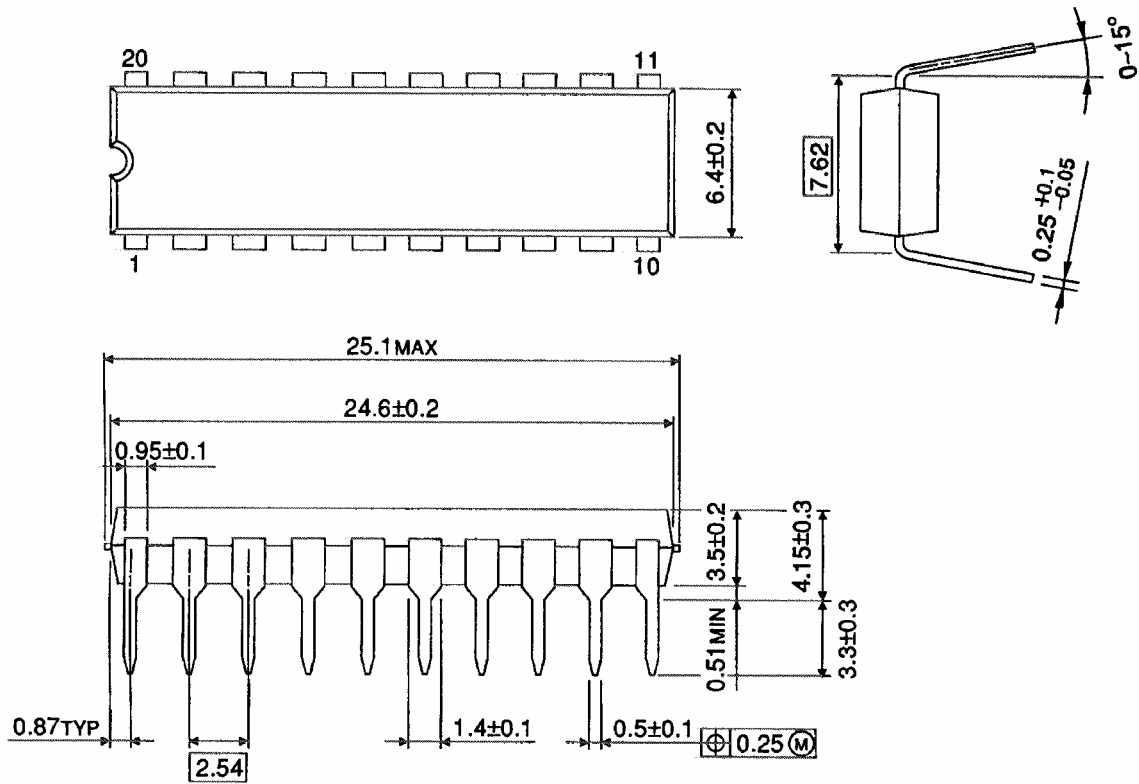
Average operating current can be obtained by the equation:

$$I_{CC}(\text{opr}) = C_{PD} \cdot V_{CC} \cdot f_{IN} + I_{CC}/8 \text{ (per bit)}$$

Package Dimensions

DIP20-P-300-2.54A

Unit : mm



Weight: 1.30 g (typ.)

Package Dimensions

SOP20-P-300-1.27A

Unit: mm



Weight: 0.22 g (typ.)

RESTRICTIONS ON PRODUCT USE

20070701-EN

- The information contained herein is subject to change without notice.
- TOSHIBA is continually working to improve the quality and reliability of its products. Nevertheless, semiconductor devices in general can malfunction or fail due to their inherent electrical sensitivity and vulnerability to physical stress. It is the responsibility of the buyer, when utilizing TOSHIBA products, to comply with the standards of safety in making a safe design for the entire system, and to avoid situations in which a malfunction or failure of such TOSHIBA products could cause loss of human life, bodily injury or damage to property.
In developing your designs, please ensure that TOSHIBA products are used within specified operating ranges as set forth in the most recent TOSHIBA products specifications. Also, please keep in mind the precautions and conditions set forth in the "Handling Guide for Semiconductor Devices," or "TOSHIBA Semiconductor Reliability Handbook" etc.
- The TOSHIBA products listed in this document are intended for usage in general electronics applications (computer, personal equipment, office equipment, measuring equipment, industrial robotics, domestic appliances, etc.). These TOSHIBA products are neither intended nor warranted for usage in equipment that requires extraordinarily high quality and/or reliability or a malfunction or failure of which may cause loss of human life or bodily injury ("Unintended Usage"). Unintended Usage include atomic energy control instruments, airplane or spaceship instruments, transportation instruments, traffic signal instruments, combustion control instruments, medical instruments, all types of safety devices, etc.. Unintended Usage of TOSHIBA products listed in this document shall be made at the customer's own risk.
- The products described in this document shall not be used or embedded to any downstream products of which manufacture, use and/or sale are prohibited under any applicable laws and regulations.
- Please contact your sales representative for product-by-product details in this document regarding RoHS compatibility. Please use these products in this document in compliance with all applicable laws and regulations that regulate the inclusion or use of controlled substances. Toshiba assumes no liability for damage or losses occurring as a result of noncompliance with applicable laws and regulations.